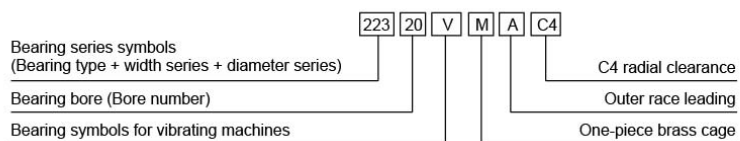
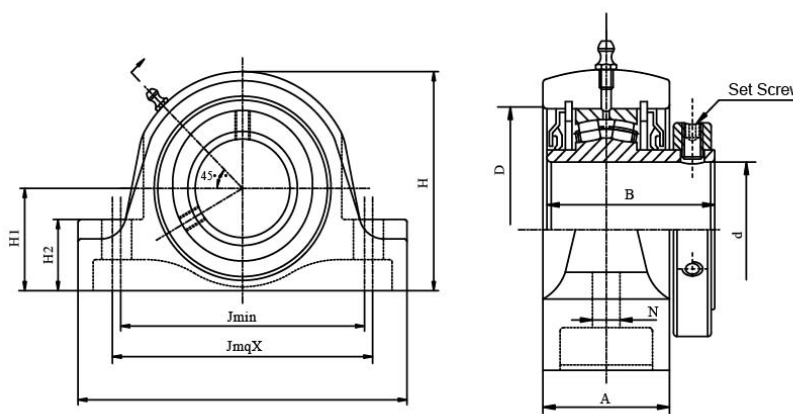


Bearings for Mining Solutions



Shaker Screen Bearings

Designation	Ref. Weight (kg)	Basic dimensions							Basic load		Limiting speed	
		d (mm)	tolerance (μm)	D (mm)	tolerance (μm)	B (mm)	Chamfer (μm)	Radial Clearance (μm)	Dynamic Cr(KN)	Static Cor(KN)	Grease	oil
22320VM/C4/W33	12.60	100	-20~0	215	-30~0	73	3.0	135~180	670	830	1700	2200
22322VM/C4/W33	17.50	110	-20~0	240	-30~0	80	3.0	160~210	815	1080	1500	1900
22324VM/C4/W33	21.90	120	-20~0	260	-35~0	86	3.0	160~210	930	1200	1400	1800
22326VM/C4/W33	27.10	130	-15~0	280	-23~-10	93	4.0	190~240	1080	1400	1300	1700
22328VM/C4/W33	34.10	140	-15~0	300	-23~-10	102	4.0	190~240	1250	1630	1200	1600
22330VM/C4/W33	40.90	150	-25~0	320	-40~0	108	4.0	220~280	1400	1860	1100	1500
22332VM/C4/W33	51.10	160	-15~0	340	-28~-13	114	4.0	220~280	1370	1760	1000	1400
22334VM/C4/W33	59.70	170	-25~0	360	-40~0	120	4.0	240~310	1530	2000	950	1300
22336VM/C4/W33	69.40	180	-25~0	380	-40~0	126	4.0	240~310	1660	2160	850	1100
22338VM/C4/W33	81.20	190	-30~0	400	-40~0	132	5.0	240~310	1800	2360	850	1100
22340VM/C4/W33	91.80	200	-30~0	420	-45~0	138	5.0	260~340	2000	2650	800	1000
22344VM/C4/W33	119.0	220	-30~0	460	-45~0	145	5.0	290~380	2240	3150	700	900
NU2312ECM+HJ2312E/C9	3.40	60	-15~0	130	-18~0	46	2.1	According to customer's request	224	260	4300	5000
NU2316ECM+HJ2316E/C9	6.92	80	-15~0	170	-25~0	58	2.1	According to customer's request	355	425	3200	3800
NU2330ECM+HJ2330E/C9	49.10	150	-25~0	320	-40~0	108	4.0	According to customer's request	1160	1600	1700	2000



SRP 2 3/16 Spherical Roller Bearing-Collar Mounted Bearing bore dimension

SRP Series Unit Bearings

Designation	Ref. Weight (kg)	Basic dimensions							Basic load	
		d (mm)	tolerance (μm)	D (mm)	tolerance (μm)	B (mm)	Chamfer (μm)	Radial Clearance (μm)	Dynamic Cr(KN)	Static Cor(KN)
SRP2 3/16	5.0	55.56	0~+0.025	100	-0.015~0	79.38	1.5	0.040~0.065	5.0	126
SRP2 7/16	7.5	61.91	0~+0.025	120	-0.015~0	85.73	1.5	0.040~0.065	7.5	190
SRP2 15/16	10.0	74.61	0~+0.035	130	-0.018~0	92.08	1.5	0.050~0.080	10.0	225
SRP3 7/16	15.0	87.31	0~+0.035	160	-0.025~0	102.40	2.0	0.060~0.100	15.0	364
SRP3 15/16	20.0	100.00	0~+0.035	180	-0.025~0	116.70	2.1	0.060~0.100	20.0	436

Network International

CHINA HEAD OFFICE

T . +86 21 6490 4536
E . export@ubc-bearing.com

International Distributor Network UBC Distributors in ASIA

India
T . +91 98 6758 1650
E . rbane@ubc-bearing.in

Pakistan
T . +92 30 0847 7889
E . info@ubcpakistan.com

Thailand
T . +66 2 315 55 15
E . adisak@aquip.co.th

Vietnam
T . +84 8 3510 4770
E . dat-nh@vnn.vn

Turkey
T . +90 232 458 24 10
E . cboz@emniyetrulman.com

UBC Distributors in AFRICA

Morocco
T . +212 06 6119 4691
E . lmdt@menara.ma

Tunisia
T . +216 74 408409
E . siahabib@topnet.tn



An IKD Company

UBC Precision Bearing Mfg. Co., Ltd.

Add: 179 South Riying Road, Waigaoqiao
Free Trade Zone, Pudong, Shanghai, China
Tel: +86-21-64904536 Fax: +86-21-64903177
Email: export@ubc-bearing.com

EUROPE

T . +34 699 499 144
E . jmsongel@ubc-bearing.com

UBC Distribution Center for EUROPE UBC-EDC (European Distribution Center)

T . +49 211 999 572 14
E . d.klostermann@bearing-service.de

UBC Distributors in LATIN AMERICA

Argentina-Chile-Paraguay
T . +54 0223 4952636
E . juanverri@repint.com.ar

Brazil
T . +55 11 2219 3084

E . ubc-bearings@ubc-rolamentosdobrasil.com.br
Venezuela-Panama
T . +58 424 809 4190
E . pedro.ropolo@ubc-bearing.com



Global Brand, Global Strategy



For inquiries or requests for quotations, kindly contact your nearest UBC Office or licensed distributor. More information is available on <http://www.ubc-bearing.com>

For technical inquiries and after-sales technical support, please get in contact with the engineering team through techsupport@ubc-bearing.com or export@ubc-bearing.com



UBC Group, with nearly 50 years of experience, aims to be a leader in the bearing industry by providing solutions to current bearing needs.

UBC is a strong link in the global supply chain by providing high-grade, competitively-priced bearing products worldwide.

UBC's unique market positioning, production expertise and manufacturing capability coupled with proactive before-and-after-sales service provides advantages to bearing users worldwide. UBC currently has a distribution network in over 25 countries that spans across Asia, Europe, Africa & South America, all of which aims to provide end-users with UBC bearing solutions.

Discover UBC...



UBC Shaker Screen Bearings

Tough jobs need tough machines

UBC Shaker Screen Bearings are precision engineered products which use top-quality bearing steel. This steel is temperature-stabilized to perform at higher working temperatures and is precision machined to a rigid tolerance range. Built to withstand the severe working conditions of shaker screen equipment - constant heavy and vibrating loads are not a match for these tough machines. If you've got a particularly unforgiving job, we've got a particularly unrelenting bearing.

Structure - UBC Shaker Screen units come with a double-row spherical roller bearing or a single-row cylindrical roller bearing, both built with a specially forged brass cage to provide low noise operation even in the worst of conditions.

Clearance - Extra large C4 Clearance is standard. For other specific clearance requirements, please contact UBC Engineering.

UBC Shaker Screen bearings are available in 223** series, marked with a V suffix to distinguish it from other bearings. Other specifications include:

- M - One-piece brass cage
- D - Two-piece brass cage
- A - Outer race leading
- E - Reinforced structure
- C4 - C4 radial clearance
- C9 - Non-standard radial clearance
- K - Tapered bore, taper 1:12
- K30 - Tapered bore, taper 1:30

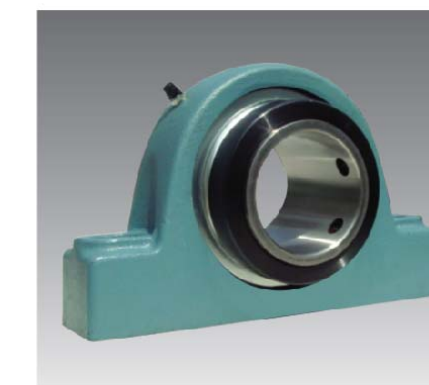
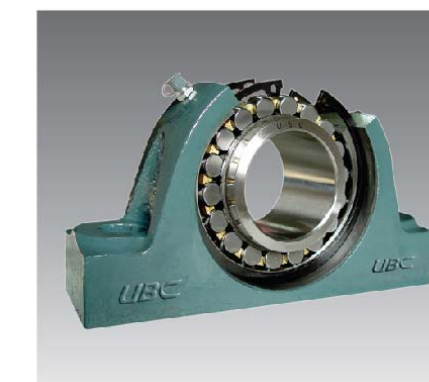


UBC Spherical Roller Bearings-Collar Mounted - SRP Series

This compact bearing unit is a heavyweight

UBC's SRP Solid Housing roller bearing units are assembled with bearing housings especially designed to withstand heavy loads in rugged applications and operating conditions. Together with UBC extra-wide inner race, double-row spherical roller bearings, they utilize state-of-the-art friction reduction technology to provide you with easy-to-mount bearing units with the same high operational reliability you can expect from UBC Bearings.

1. Extra-high load capacity: UBC spherical roller bearings assures carrying extra heavy loads;
2. Easy-to-mount Design: Convenient installation with specially designed extra-wide inner race and a concentric collar, with setscrew;
3. Self-aligning: Shaft alignments with a scope of up to $\pm 1\ 1/2^\circ$;
4. Extended width on the shaft: UBC bearing inserts can have an axial extension of up to 1.6mm in the housing unit;
5. Low Maintenance: Dustproof, with tri-lips seals that prevent grease leak-outs;
6. Relube: SRP units are easily re-lubricated through the use of a grease gun;
7. Available in two types: Fixed (non-expansion) and Floating (expansion) unit. If Fixed type is required, a suffix H is attached.



Bearings for Mining Solutions



CA series bearings are double-row self-aligning spherical roller bearings with a machined brass cage that have a high load capacity, superior durability, and are resistant to wear. The CA series are especially suitable for applications that operate under heavy or shock load conditions.

CA Series Spherical Roller Bearings



EM series bearing are cylindrical roller bearings capable of carrying particularly large radial loads and are suitable for high-speed application. The EM Series features a one-piece brass cage. It offers high-load capacity for standard-size bearings, in addition to excellent functionality and longer operating life.

EM Series Cylindrical Roller Bearings



VM series bearings are CA series bearings that have been optimized for harsh vibrating applications, including vibrating screens and feeders.

VM Series Spherical Roller Bearings



Plummer blocks are bearing housings that provide high rigidity and sealing capability for large machinery and heavy load applications. Plummer blocks are available in a wide range of types and models for various applications. The two global-standard types of plummer blocks, SN and SD, are available for large-scale heavy-load applications.

Plummer Blocks

Bearings for Mining Solutions

